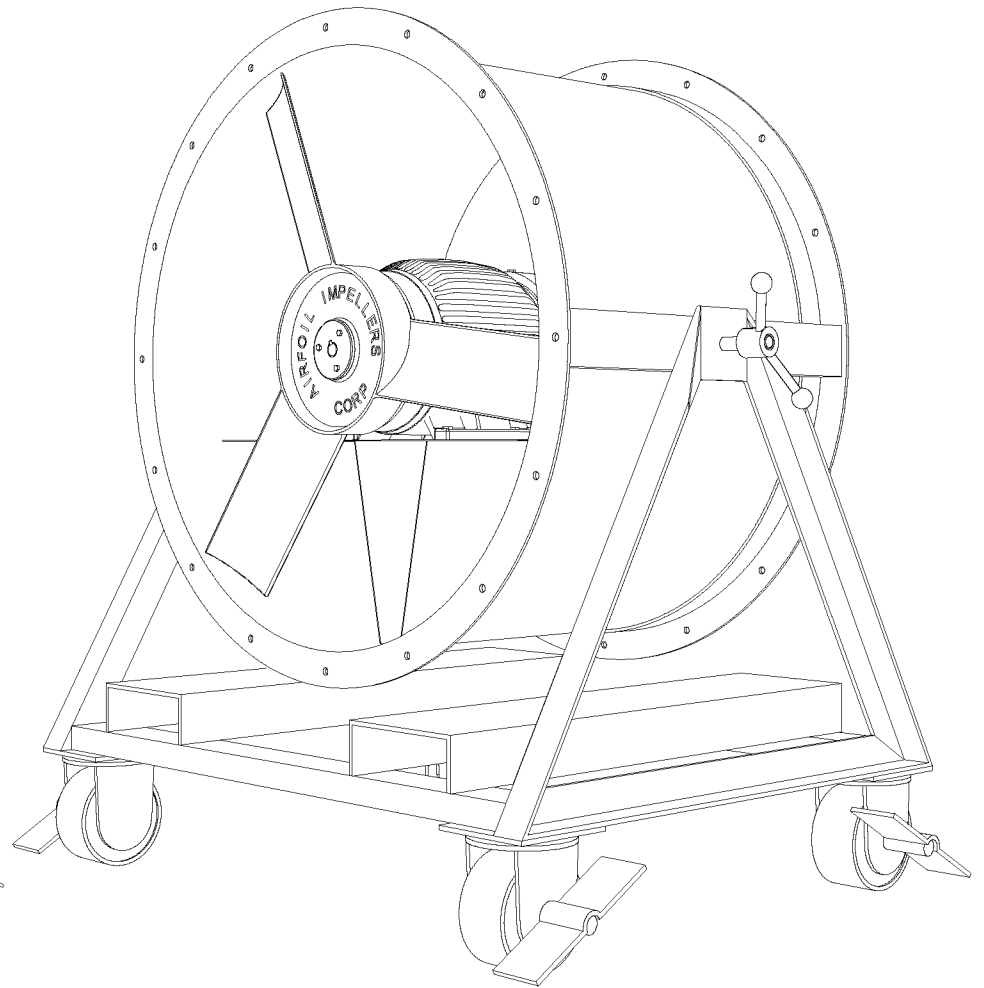
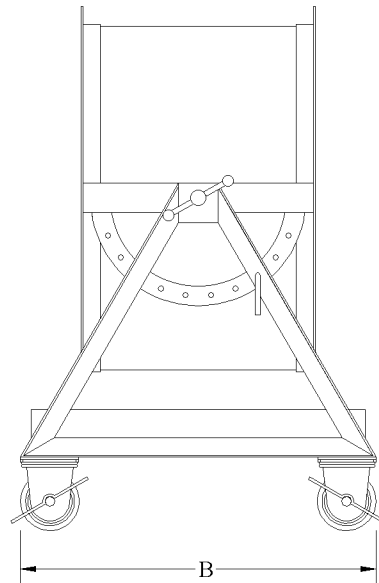
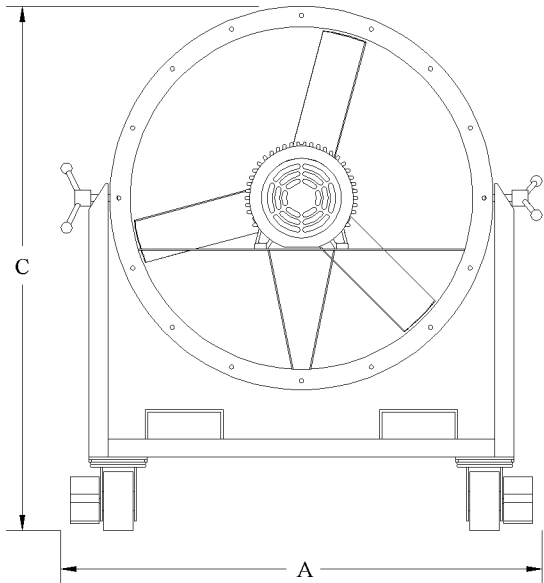


Direct Drive A-Frame Man Cooler

DIMENSIONS for Steel

FAN SIZE	23	29	35	41	47	53
A	34	40	45	55	60	65
B	23	33	35	41	46	46
C	40	45	50	60	70	70



AIRFOIL IMPELLERS

P.O.Box 9966
College Station, TX 77842
PHONE: (979) 822-6418
FAX: (979) 775-5588

TITLE: Direct Drive A-Frame
Man Cooler

NOTE: Dimensions shown are subject to
change. Please contact factory
if a certified drawing is needed.

©2003 Airfoil Impellers Corp.

web: <http://www.airfoil.com>

email: sales@airfoil.com

