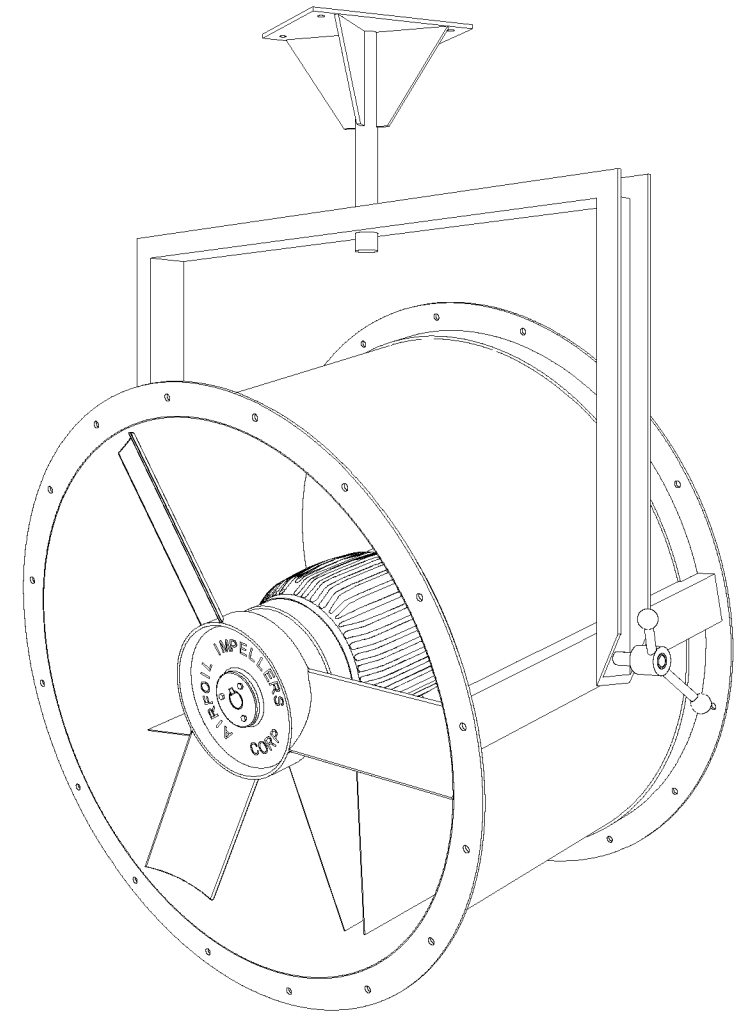
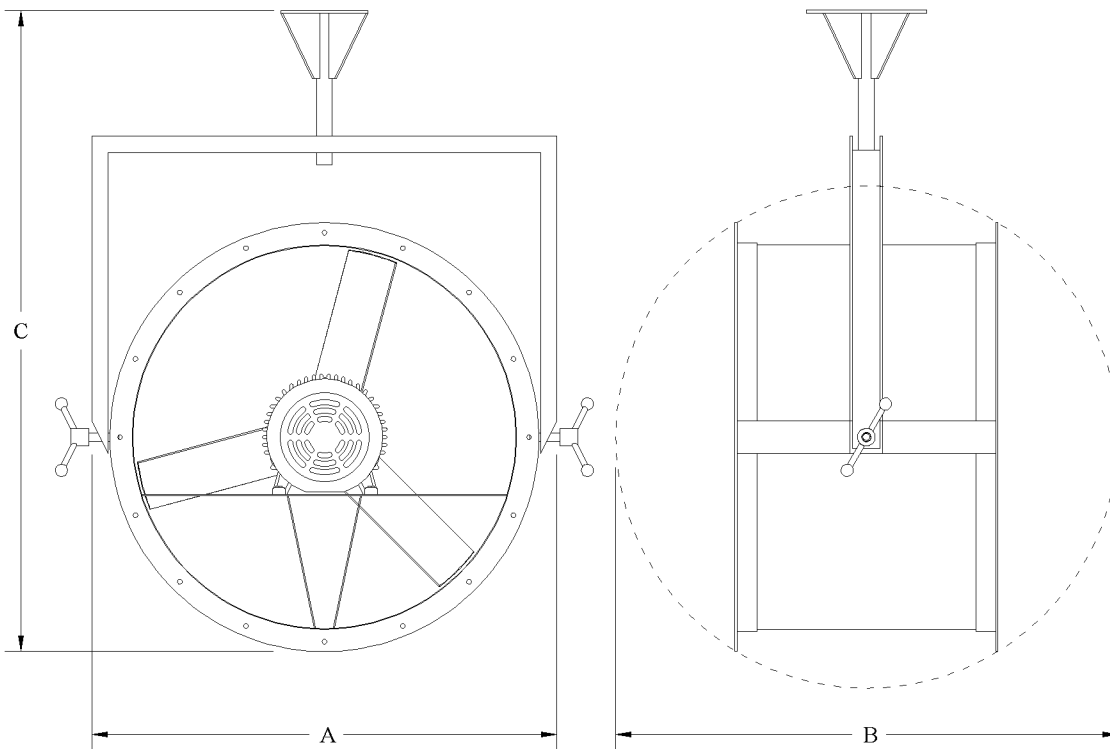


Direct Drive Column-Mounting Man Cooler

DIMENSIONS for Steel

FAN SIZE	23	29	35	41	47	53
A	30	36	42	48	54	60
B	34	40	46	54	60	66
C	42	54	59	62	65	68



AIRFOIL IMPELLERS
 P.O.Box 9966
 College Station, TX 77842
 PHONE: (979) 822-6418
 FAX: (979) 775-5588

TITLE: Direct Drive Column-Mounting Man Cooler
NOTE: Dimensions shown are subject to change. Please contact factory if a certified drawing is needed.
 ©2003 Airfoil Impellers Corp.

web: <http://www.airfoil.com> **email:** sales@airfoil.com

