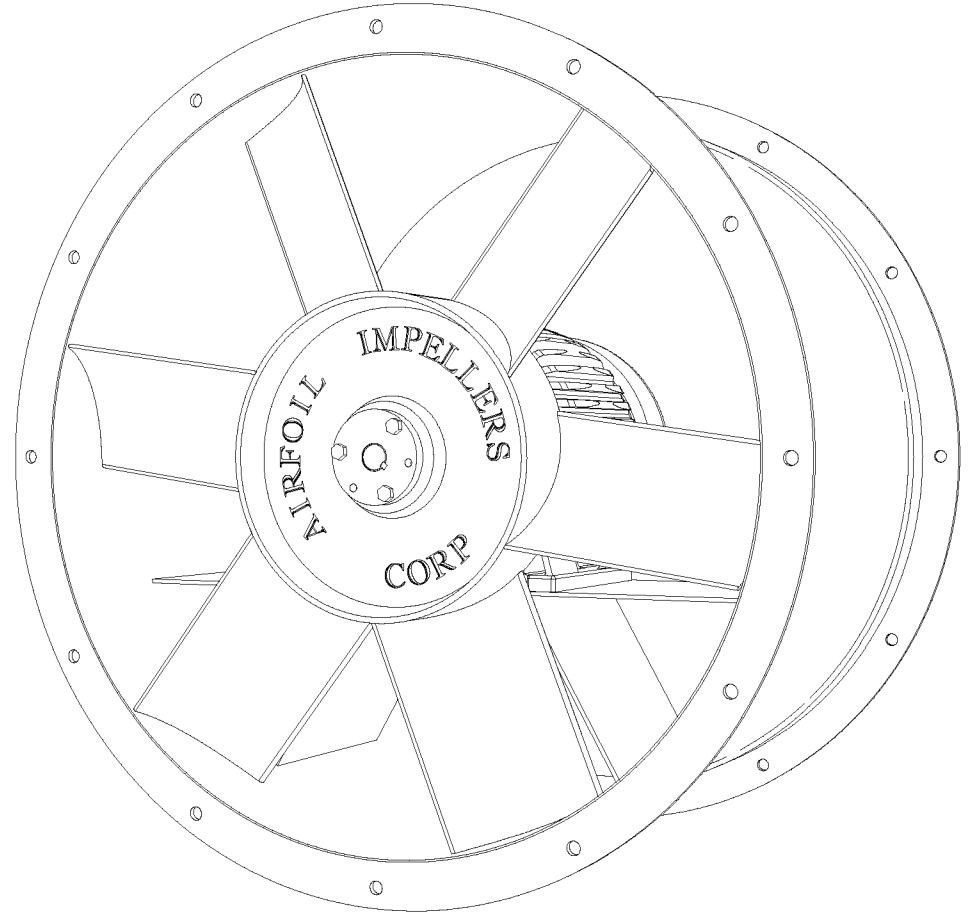
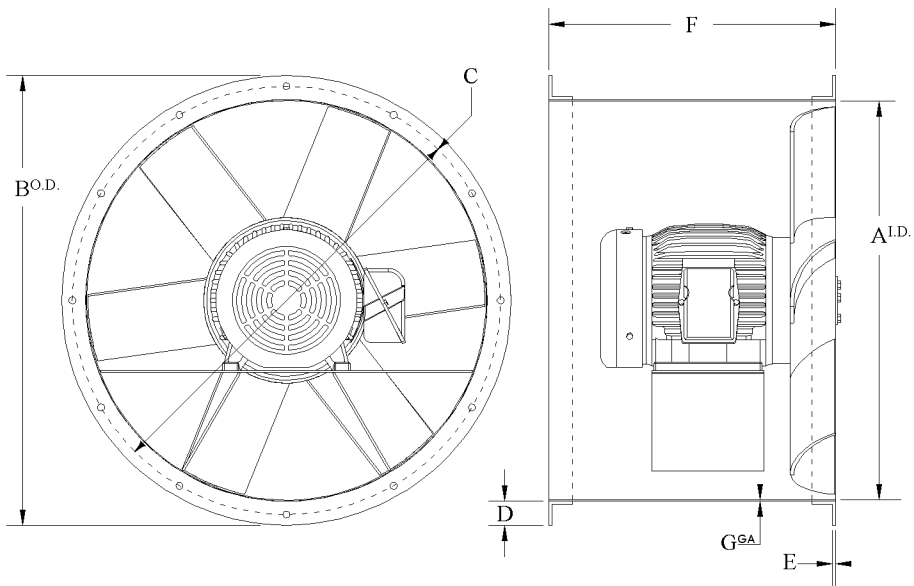


Direct Drive Tubeaxial Fan

DIMENSIONS for Steel Construction

FAN SIZE	18	21	24	27	30	33	36	42	48	54
A	18 ¹ / ₁₆	21 ¹ / ₁₆	24 ¹ / ₁₆	28 ¹ / ₁₆	31 ¹ / ₁₆	34 ¹ / ₁₆	37 ¹ / ₁₆	43 ¹ / ₁₆	49	55
B	21 ³ / ₁₆	24 ³ / ₁₆	27 ³ / ₁₆	32 ³ / ₁₆	35 ³ / ₁₆	38 ³ / ₁₆	41 ³ / ₁₆	47 ³ / ₁₆	53 ³ / ₁₆	59 ³ / ₁₆
C	20	22 ³ / ₈	25 ⁷ / ₈	30 ³ / ₈	33 ³ / ₈	36 ³ / ₈	39 ³ / ₈	45 ³ / ₈	51 ³ / ₈	57 ³ / ₈
D	1 ¹ / ₂	1 ¹ / ₂	1 ¹ / ₂	2	2	2	2	2	2	2
E	std	³ / ₁₆	³ / ₁₆	³ / ₁₆	³ / ₁₆	³ / ₁₆	³ / ₁₆	³ / ₁₆	³ / ₁₆	³ / ₁₆
	max	¹ / ₄	¹ / ₄	¹ / ₄	¹ / ₄	¹ / ₄	¹ / ₄	¹ / ₄	¹ / ₄	¹ / ₄
F	18	20	20	24	24	24	24	30	30	30
G	std	16	14	14	14	14	14	14	12	12
	max	¹ / ₄	¹ / ₄	¹ / ₄	¹ / ₄	¹ / ₄	¹ / ₄	¹ / ₄	¹ / ₄	¹ / ₄



AIRFOIL IMPELLERS

P.O.Box 9966
College Station, TX 77842
PHONE: (979) 822-6418
FAX: (979) 775-5588

TITLE: Direct Drive Tubeaxial Fan

NOTE: Dimensions shown are subject to change. Please contact factory if a certified drawing is needed.

©2003 Airfoil Impellers Corp.

web: <http://www.airfoil.com>

email: sales@airfoil.com

