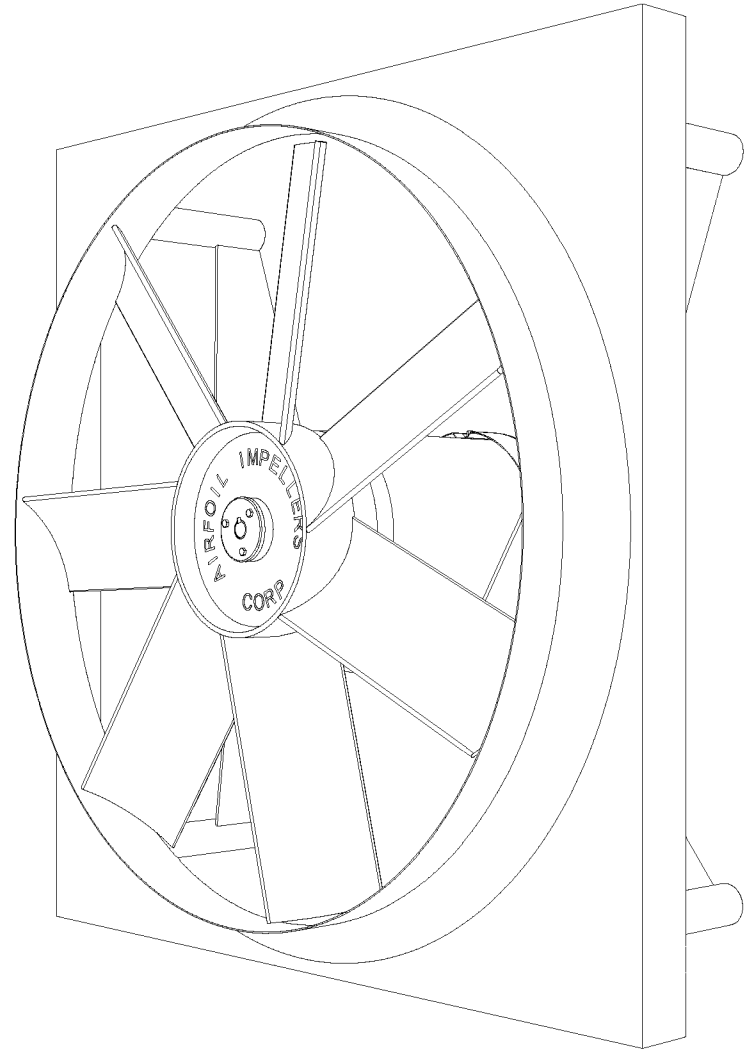
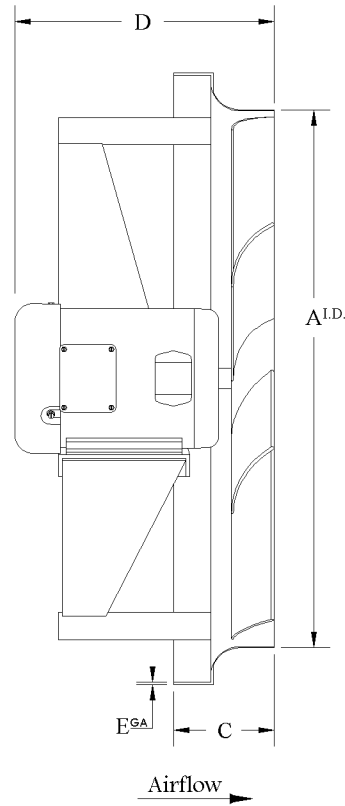
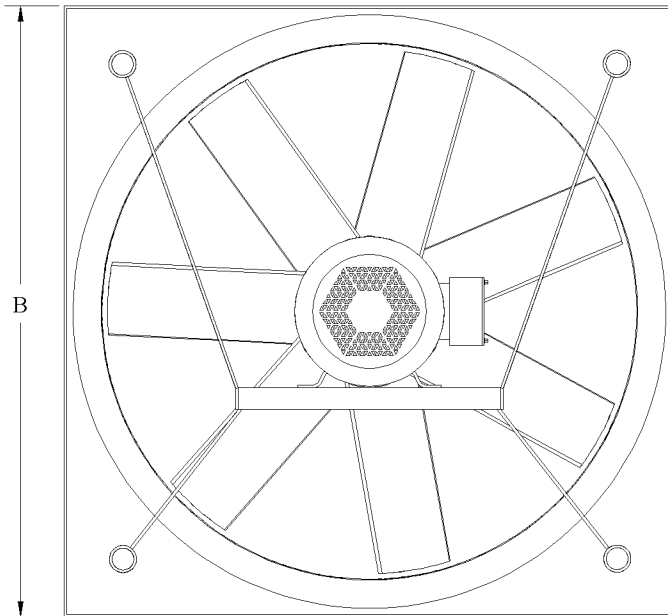


DIRECT DRIVE PANEL FAN

DIMENSIONS for Steel Construction

FAN SIZE	24	30	36	42	48	54	60
A	24 ⁷ / ₈	30 ⁷ / ₈	36 ⁷ / ₈	42 ⁷ / ₈	48 ⁷ / ₈	55	61
B	30	36	42	48	54	60	66
C	6 ³ / ₈	6 ¹ / ₂	7	7 ¹ / ₂	7 ¹ / ₂	7 ³ / ₄	8 ¹ / ₄
E	16	16	14	14	14	14	12



Airflow →

AIRFOIL IMPELLERS

P.O.Box 9966
College Station, TX 77842
PHONE: (979) 822-6418
FAX: (979) 775-5588

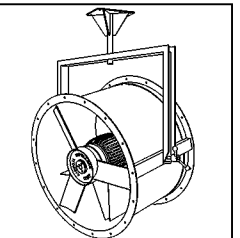
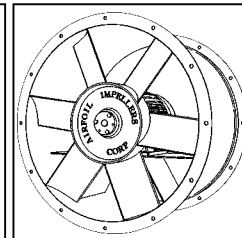
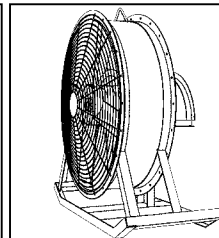
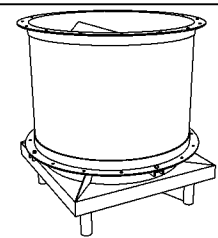
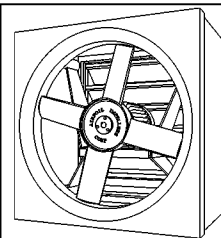
TITLE: Direct Drive Panel Fan

NOTE: Dimensions shown are subject to change. Please contact factory if a certified drawing is needed.

*D is dependent on motor frame.
©2003 Airfoil Impellers Corp.

web: <http://www.airfoil.com>

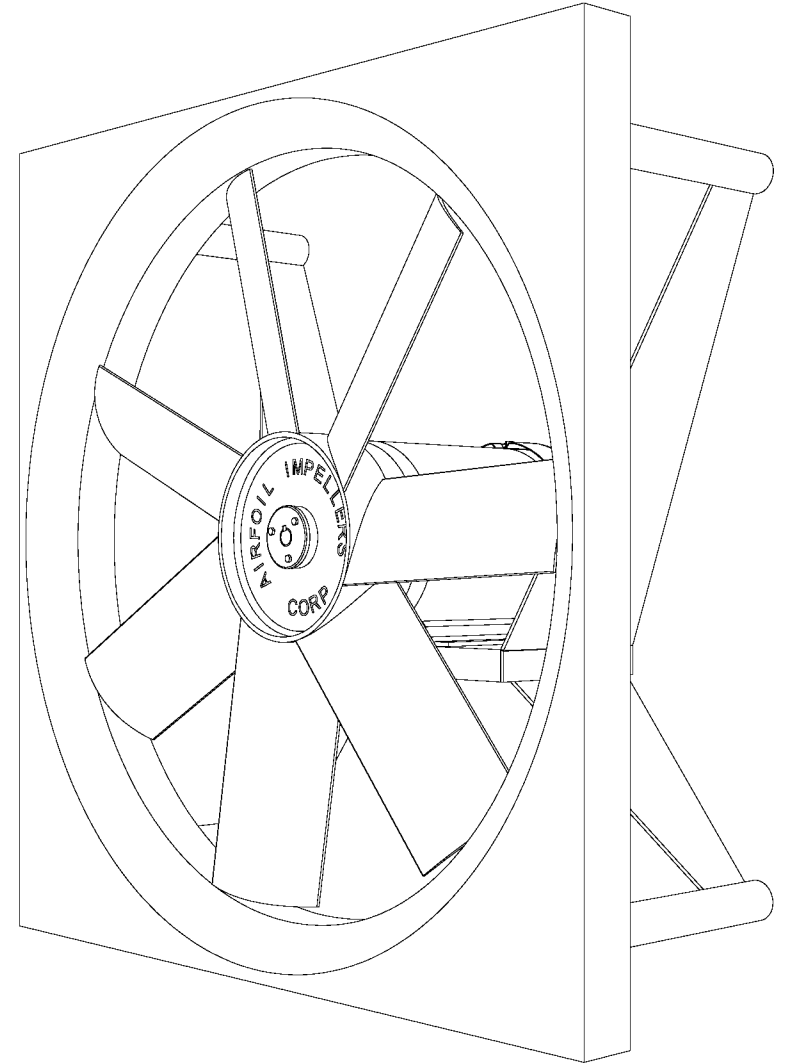
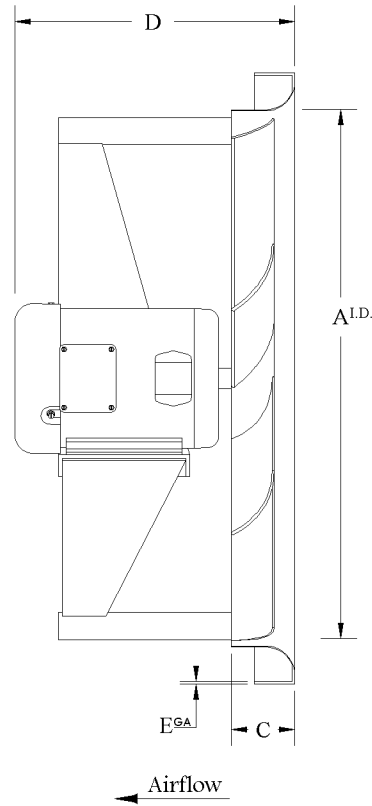
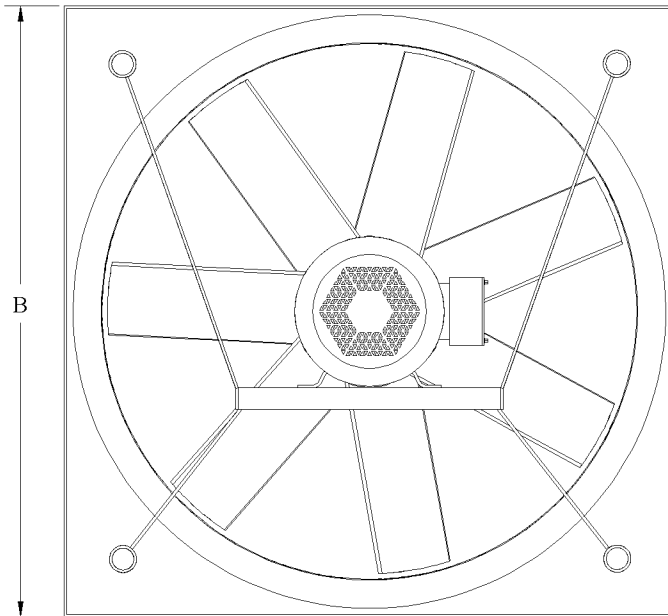
email: sales@airfoil.com



DIRECT DRIVE BOS PANEL FAN

DIMENSIONS for Steel Construction

FAN SIZE	24	30	36	42	48	54	60
A	24 ⁷ / ₈	30 ⁷ / ₈	36 ⁷ / ₈	42 ⁷ / ₈	48 ⁷ / ₈	55	61
B	30	36	42	48	54	60	66
C	3 ⁷ / ₈	3 ³ / ₄	4 ¹ / ₄	4 ³ / ₄	4 ³ / ₄	5	5 ¹ / ₂
E	16	16	14	14	14	14	12



AIRFOIL IMPELLERS

P.O.Box 9966
College Station, TX 77842
PHONE: (979) 822-6418
FAX: (979) 775-5588

TITLE: Direct Drive BOS Panel Fan

NOTE: Dimensions shown are subject to change. Please contact factory if a certified drawing is needed.

*D is dependent on motor frame.

©2003 Airfoil Impellers Corp.

web: <http://www.airfoil.com>

email: sales@airfoil.com

