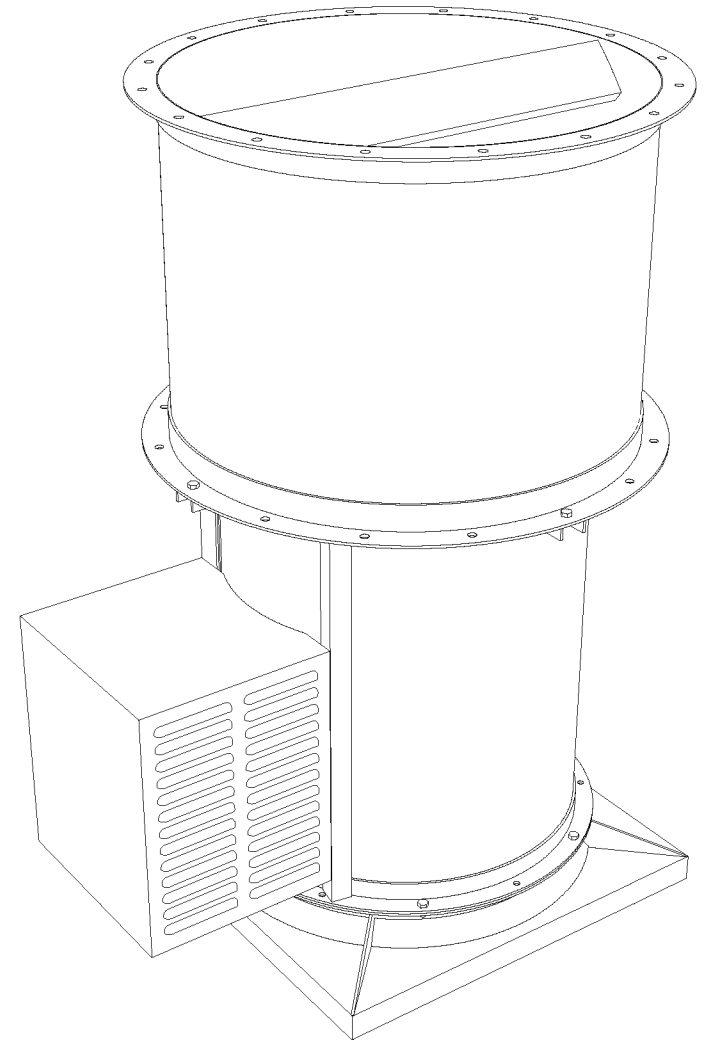
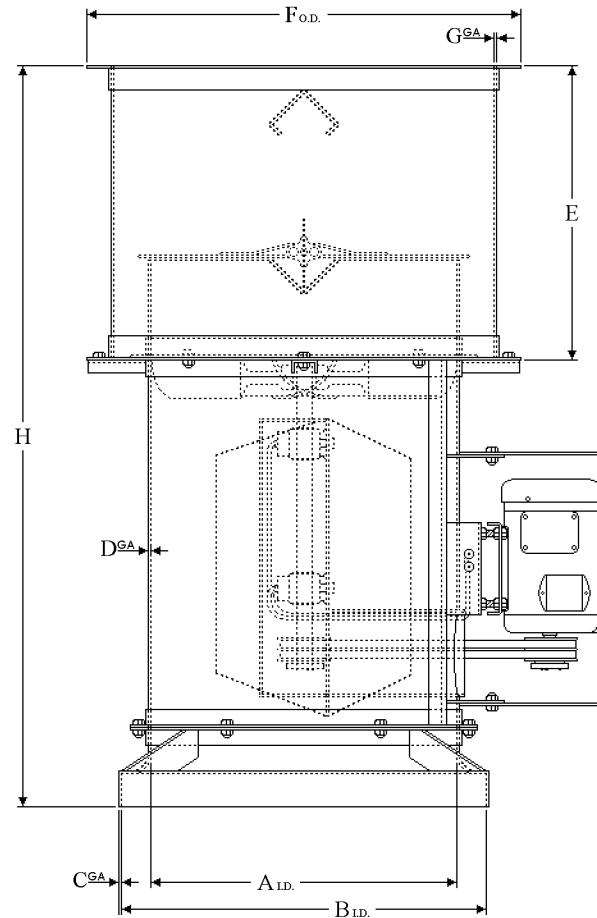
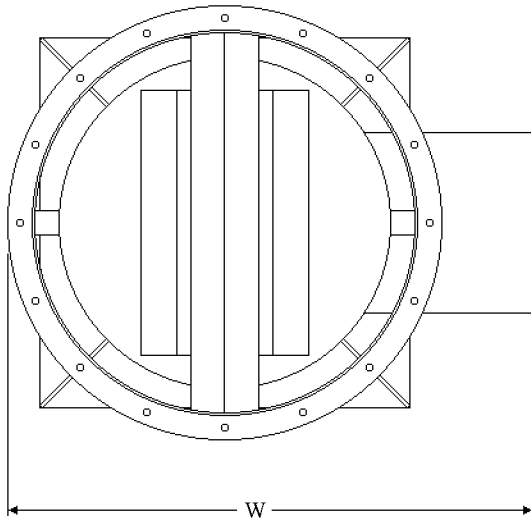


BELT DRIVE TUBEAXIAL STACK CAP ROOF VENTILATOR

DIMENSIONS for Steel Construction

FAN SIZE	A	B	C	D		E	F	G	H
				std	max				
24	25 ¹ / ₁₆	29 ⁷ / ₈	14	14	¼	24	35 ¹ / ₂	16	61
30	31 ¹ / ₁₆	35 ⁷ / ₈	14	14	¼	27	41 ¹ / ₂	16	67
36	37 ¹ / ₁₆	41 ⁷ / ₈	14	14	¼	30	47 ¹ / ₂	16	74
42	43 ¹ / ₁₆	47 ⁷ / ₈	14	14	¼	33	53 ¹ / ₂	16	80
48	49 ¹ / ₁₆	53 ⁷ / ₈	14	14	¼	36	59 ¹ / ₂	16	86
54	55	59 ⁷ / ₈	14	12	¼	39	65 ¹ / ₂	16	93
60	60 ¹ / ₁₆	65 ⁷ / ₈	14	10	¼	42	71 ¹ / ₂	16	99



AIRFOIL IMPELLERS

P.O.Box 9966
College Station, TX 77842
PHONE: (979) 822-6418
FAX: (979) 775-5588

TITLE: Stack Cap Roof Ventilator

NOTE: Dimensions shown are subject to change. Please contact factory if a certified drawing is needed.

*W is dependent on motor frame.

©2003 Airfoil Impellers Corp.

web: <http://www.airfoil.com>

email: sales@airfoil.com

