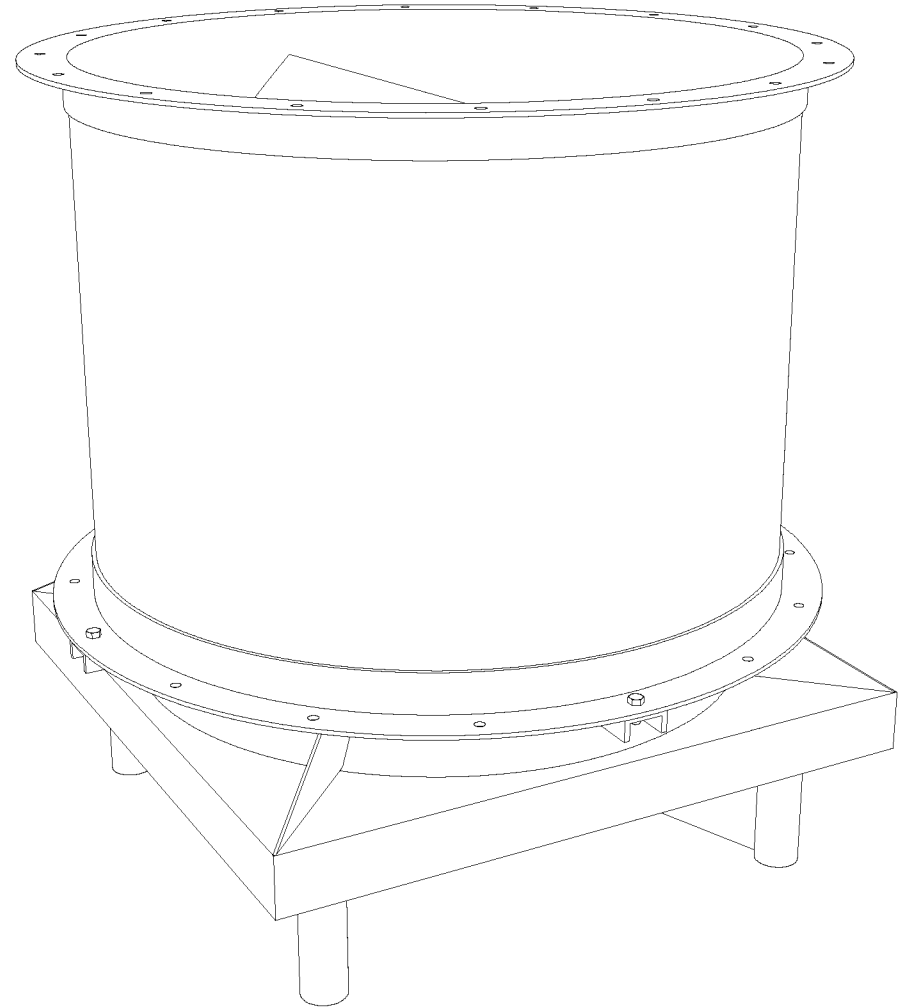
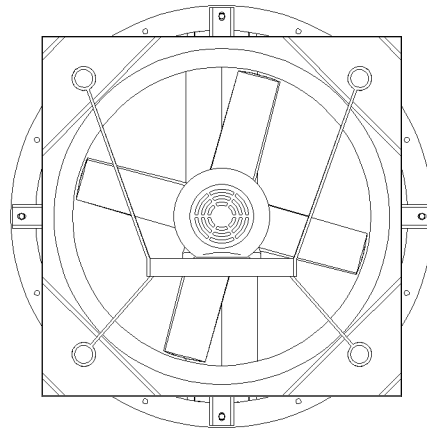
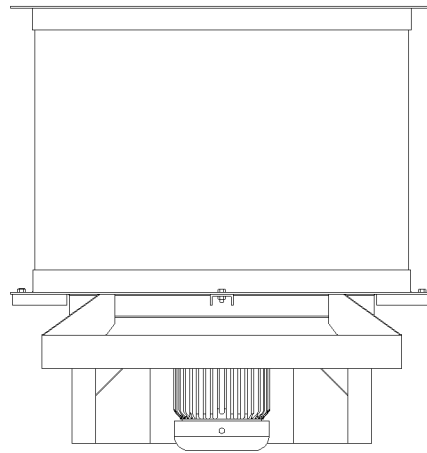
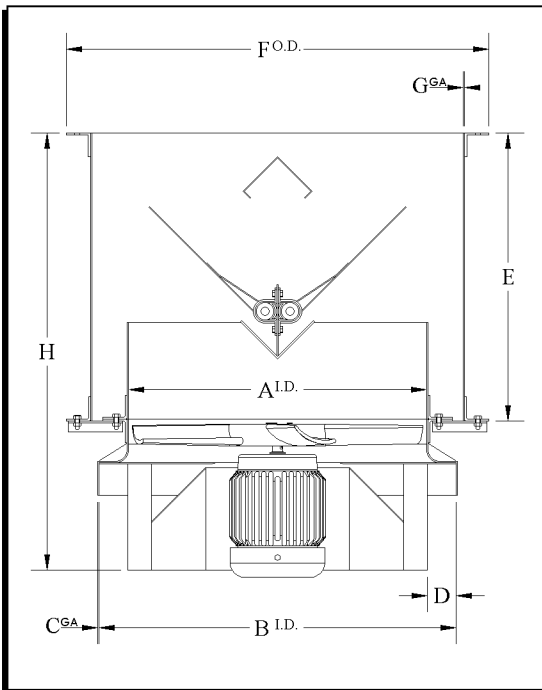


# Direct Drive Rooftop Upblast Ventilator

## DIMENSIONS for Steel Construction

FAN SIZE	A	B	C	D	E	F	G	H
18	18	23 $\frac{7}{8}$	16	3 $\frac{1}{2}$	24	35 $\frac{1}{2}$	16	35 $\frac{1}{2}$
24	24 $\frac{7}{8}$	29 $\frac{7}{8}$	16	3 $\frac{1}{2}$	24	35 $\frac{1}{2}$	16	35 $\frac{1}{2}$
30	30 $\frac{7}{8}$	35 $\frac{7}{8}$	16	3 $\frac{1}{2}$	27	41 $\frac{1}{2}$	16	42
36	36 $\frac{7}{8}$	41 $\frac{7}{8}$	14	3 $\frac{1}{2}$	30	47 $\frac{1}{2}$	16	47 $\frac{1}{2}$
42	42 $\frac{7}{8}$	47 $\frac{7}{8}$	14	3 $\frac{1}{2}$	33	53 $\frac{1}{2}$	16	53 $\frac{1}{2}$
48	48 $\frac{7}{8}$	53 $\frac{7}{8}$	14	3 $\frac{1}{2}$	36	59 $\frac{1}{2}$	16	59 $\frac{1}{2}$
54	55	59 $\frac{7}{8}$	14	3 $\frac{1}{2}$	39	65 $\frac{1}{2}$	16	61 $\frac{1}{2}$



### AIRFOIL IMPELLERS

P.O. Box 9966  
College Station, TX 77842  
PHONE: (979) 822-6418  
FAX: (979) 775-5588

**TITLE:** Direct Drive Rooftop Upblast Ventilator

**NOTE:** Dimensions shown are subject to change. Please contact factory if a certified drawing is needed.

©2003 Airfoil Impellers Corp.

**web:** <http://www.airfoil.com>

**email:** [sales@airfoil.com](mailto:sales@airfoil.com)

