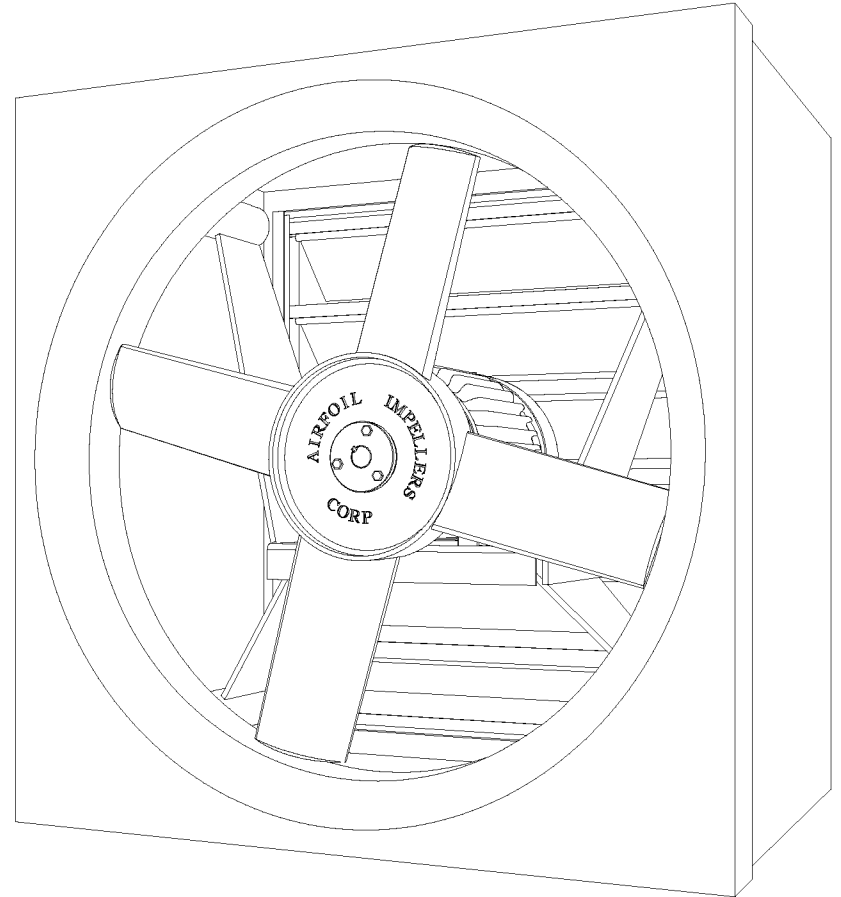
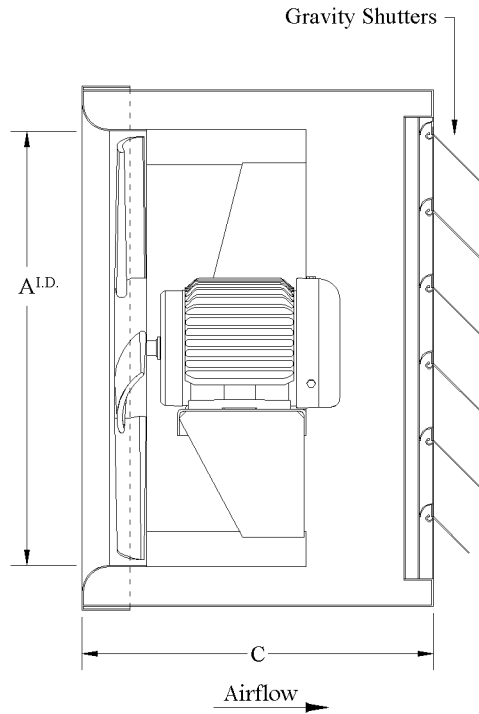
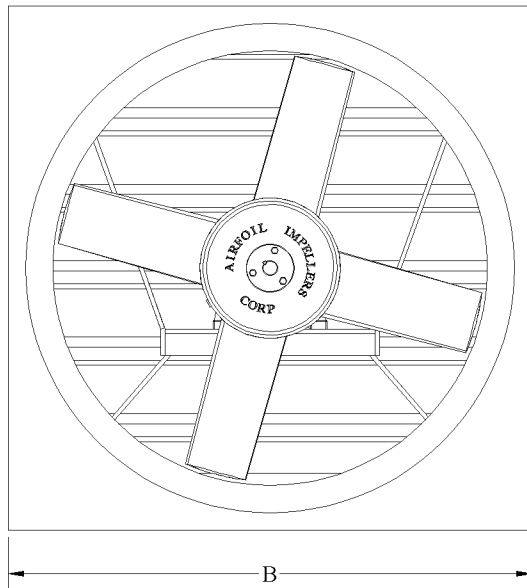


# Direct Drive Wall Fan

## DIMENSIONS for Steel Construction

FAN SIZE	18	24	30	36	42	48	54
A	18	24 <sup>7</sup> / <sub>8</sub>	30 <sup>7</sup> / <sub>8</sub>	36 <sup>7</sup> / <sub>8</sub>	42 <sup>7</sup> / <sub>8</sub>	48 <sup>7</sup> / <sub>8</sub>	55
B	22	30	36	42	48	54	60
C*	22	24	25	26	26	26	27



**AIRFOIL IMPELLERS**

P.O.Box 9966  
College Station, TX 77842  
PHONE: (979) 822-6418  
FAX: (979) 775-5588

**TITLE:** Direct Drive Wall Fan

**NOTE:** Dimensions shown are subject to change. Please contact factory if a certified drawing is needed.

\*C is dependent on motor frame.

©2003 Airfoil Impellers Corp.

**web:** <http://www.airfoil.com>

**email:** [sales@airfoil.com](mailto:sales@airfoil.com)

